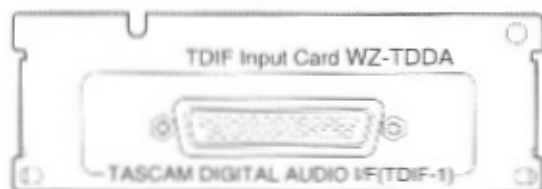


Panasonic

TDIF Input Card Instructions

Model No. WZ-TDDA

RAMSA



Before attempting to connect or operate this product,
please read these instructions carefully and save this manual for future use.

Introduction

The WZ-TDDA is an option card to be installed in the DA Converter WZ-DA96. This card receives 8-channel/24-bit/48kHz or 4-channel/24-bit/96kHz data in TDIF format from an external DTRS digital tape recorder such as TASCAM DA88, DA38, DA98 or DA78.

Warning!

The installation shown below should be made by qualified service personnel or system installers.

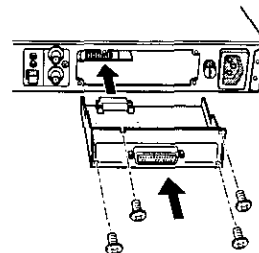
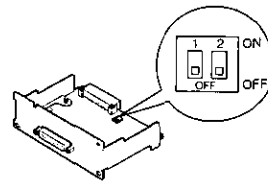
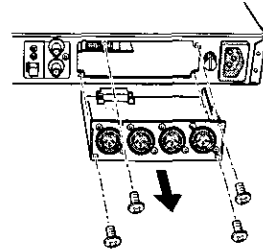
Installation

1. Plug off the power cord of the converter from an AC outlet.
2. Loosen four screws as illustrated, then remove the standard AES/EBU input block from the rear of the DA Converter.
3. Place your hands on the top cover of the DA Converter to discharge electrostatics.
4. On the option card, set the DIP switch #1 to ON or OFF depending on the DTRS model connected. The default position is OFF. The DIP switch #2 is reserved for future use.

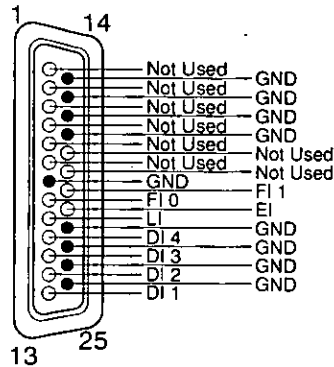
OFF: DA88

ON: Other than DA88

5. Place the option card into the opening, then push it to the end.
6. Fasten the four screws to fix the option card.



Pin Assignment

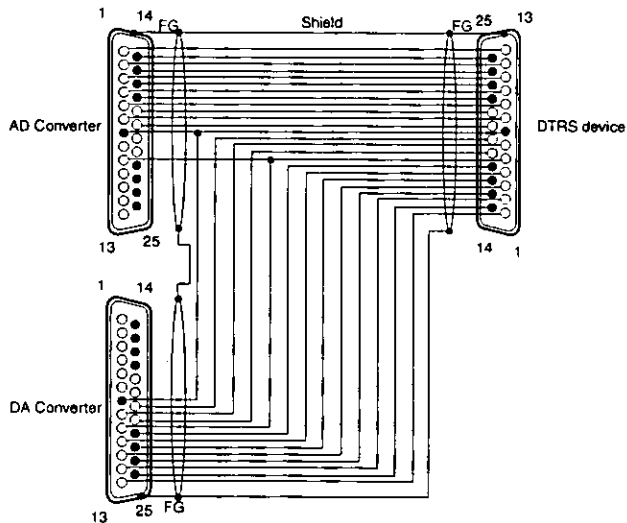


Recommended Cable

If you are using this card **ONLY** for the input of the DA96, Panasonic part # DA/DB-TDIF (DB25 to DB25 (TDIF), Length 3m) is recommended. PW-88D (1m) or PW-88DL (5m) supplied by TASCAM are also recommended.

DB25 Y Cable

To connect the DA converter (TDIF Card installed) with the AD converter WZ-AD96/ WZ-AD96M and a DTRS device (DA88 and so forth) you will need the Y cable shown below. Panasonic part # 96TDIF-Y is recommended. If you decide to build it yourself, make sure you are using the proper wire.



Specifications

| | |
|-----------------|--|
| Input Connector | DB25 |
| Format | TDIF-1 |
| Signal Level | CMOS Level |
| Channel Mode | 8 ch, 24bit, 44.1/48 kHz, Normal 4 ch, 24bit, 88.2/96 kHz, Dual Track |
| Dimensions (mm) | 108(W) x 37(H) x 62(D) |
| (inch) | 4-1/4(W) x 1-7/16(H) x 2-7/16(D) |
| Weight | 90 g (0.20 lbs) |

Panasonic Security and Digital Imaging Company
A Division of Matsushita Electric Corporation of America
Professional Audio Group

Headquarters:

One Panasonic Way 3E-7, Secaucus, New Jersey 07094

Regional Offices:

EASTERN: One Panasonic Way, Secaucus, NJ 07094 (201) 392-4429

WESTERN: 6550 Katella Ave., Cypress, CA 90630 (877) 733-3689